



# TEMPERATURE

## PLATINUM ROOM TEMPERATURE TRANSMITTER BA/T1K SERIES

### DESCRIPTION

The **BAPI BA/T1K Platinum Room Temperature Transmitter Series** provides stable, accurate room sensing for temperature control and building automation systems. The attractive vented housing mounts easily and is constructed of a durable plastic with a tan enameled aluminum faceplate. The BA/T1K Series has a loop-powered 4-20 mA output with models having temperature range of 40° to 90°F (4° to 32°C) or 0° to 100°F (-17.7° to 37.8°C).

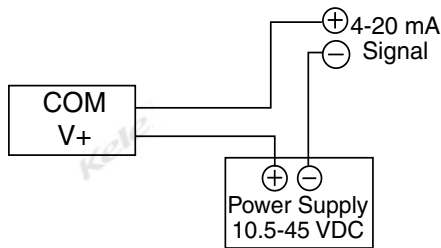
### FEATURES

- *Decorative enclosure*
- *2 year warranty*

### SPECIFICATIONS

<b>Supply Voltage</b>	7-40 VDC
<b>Signal Output</b>	4-20 mA @ 850Ω, two-wire, loop-powered
<b>Accuracy</b>	±0.65% of span
<b>Sensor Element</b>	1000Ω platinum TCR
	0.00385Ω/Ω/°C
<b>Range</b>	40° to 90°F (4.4 to 32.2°C) 0° to 100°F (-17.7 to 37.8°C)
<b>Enclosure Rating</b>	NEMA 1, Plastic
<b>Weight</b>	0.25 lb (0.11 Kg)
<b>Approvals</b>	RoHS
<b>Warranty</b>	2 years

### MOUNTING



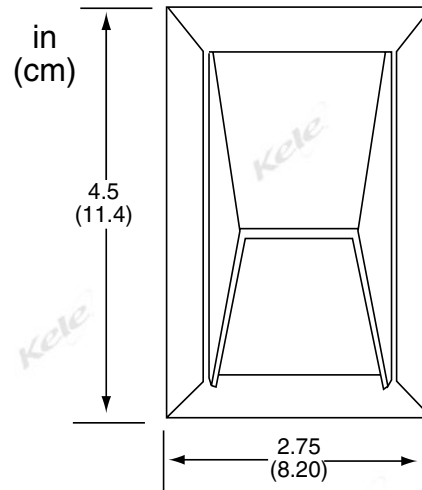
NEW!



BA/T1K



### DIMENSIONS



### ORDERING INFORMATION

MODEL	DESCRIPTION
BA/T1K	Executive Room Temperature Transmitter
<b>OPTIONS</b>	
40/90RSZ	40° to 90°F (4.4° to 32.2°C) equals 4-20 mA
0/100RSZ	0° to 100°F (-17.7° to 37.8°C) equals 4-20 mA

BA/T1K - 0/100RSZ

**Example:** BA/T1K0/100RSZ Executive room temperature transmitter with 4-20 mA equal to 0° to 100°F

DCPA-1.2  
DCP-1.5-W

**RELATED PRODUCTS**  
Power supply, 120 VAC In to 24 VAC/24 VDC Out  
Power supply, 24 VAC IN to 24 VDC OUT

TEMPERATURE

19

NEW!